

Vanya and Sonya and Masha and Spike

Ground Plan

Weathervane Playhouse

Director: John Neville-Andrews

Designer: Dylan G Bollinger

Tech Director: Ben Fink

Drafter: Dylan G Bollinger

Date: 5/9/19

Scale: 1/4" = 1'-0"

Dwg. No.

1

of

15



Vanya and Sonya and Masha and Spike

Center Line Section

Weathervane Playhouse

Director: John Neville-Andrews

Designer: Dylan G Bollinger

Tech Director: Ben Fink

Drafter: Dylan G Bollinger (706-973-9533)

Date: 5/9/19

Scale: 1/8" = 1'-0"

Dwg. No.

2

of

15



Vanya and Sonya and Masha and Spike

Isometric Elevation

Weatherwane Playhouse

Director: John Neville-Andrews

Designer: Dylan G Bollinger

Tech Director: Ben Fink

Drafter: Dylan G Bollinger (706-973-9533)

Date: 5/9/19

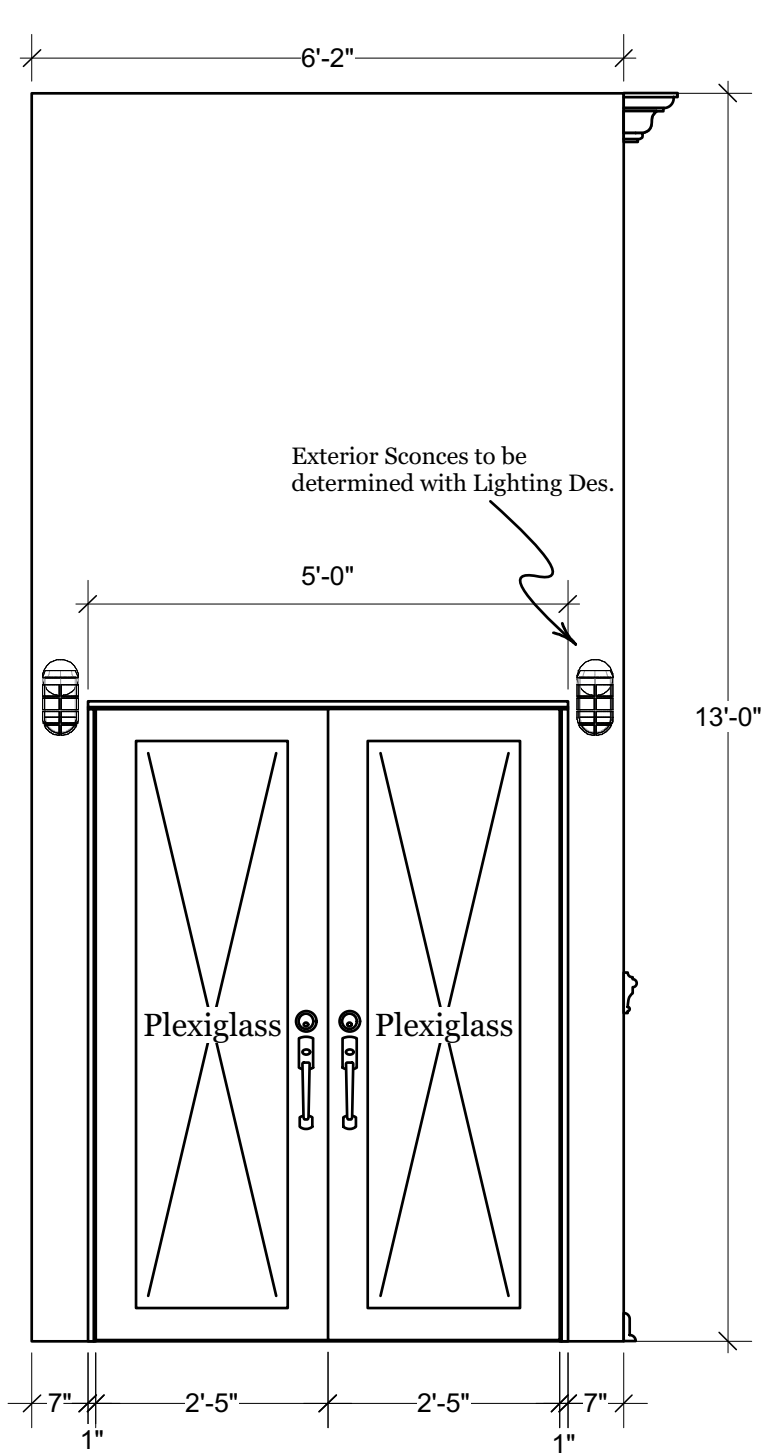
Scale: 1 1/2" = 1'-0"

Dwg. No.

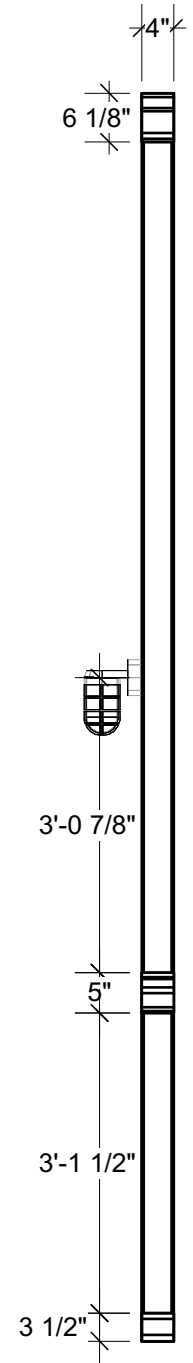
3

of

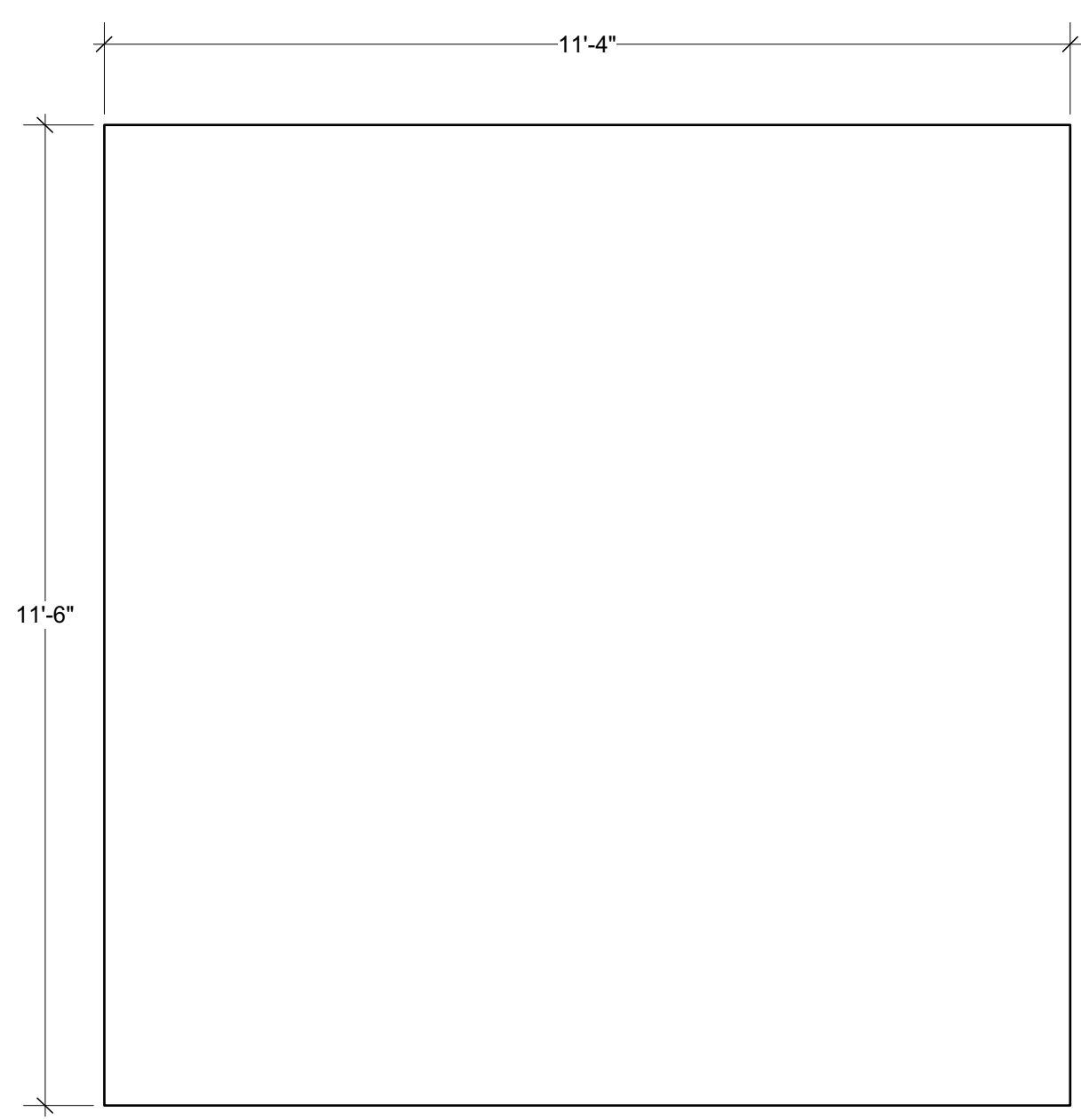
15



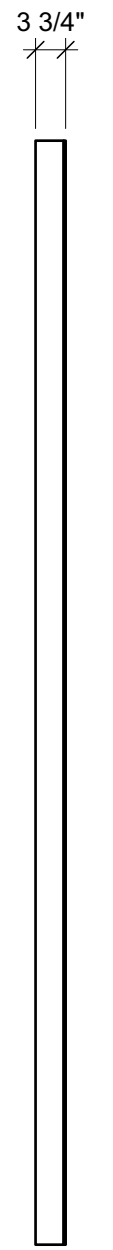
Wall A Front Elevation



Wall A Side Elevation



Wall B Front Elevation



Wall B Side Elevation

Vanya and Sonya and Masha and Spike

Wall A & Wall B

Weathervane Playhouse

Director: John Neville-Andrews

Designer: Dylan G Bollinger

Tech Director: Ben Fink

Drafter: Dylan G Bollinger (706-973-9533)

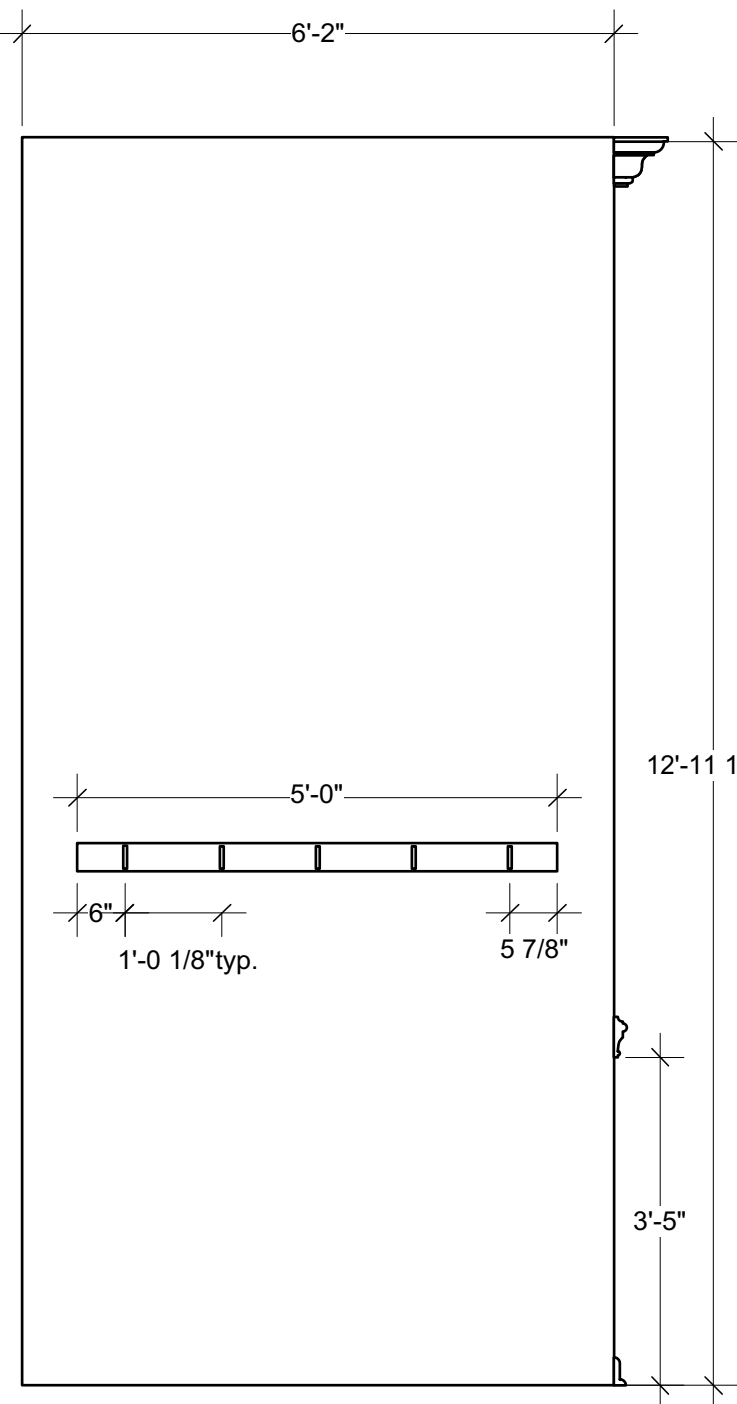
Date: 5/9/19

Scale: 1/2" = 1'-0"

Dwg. No.

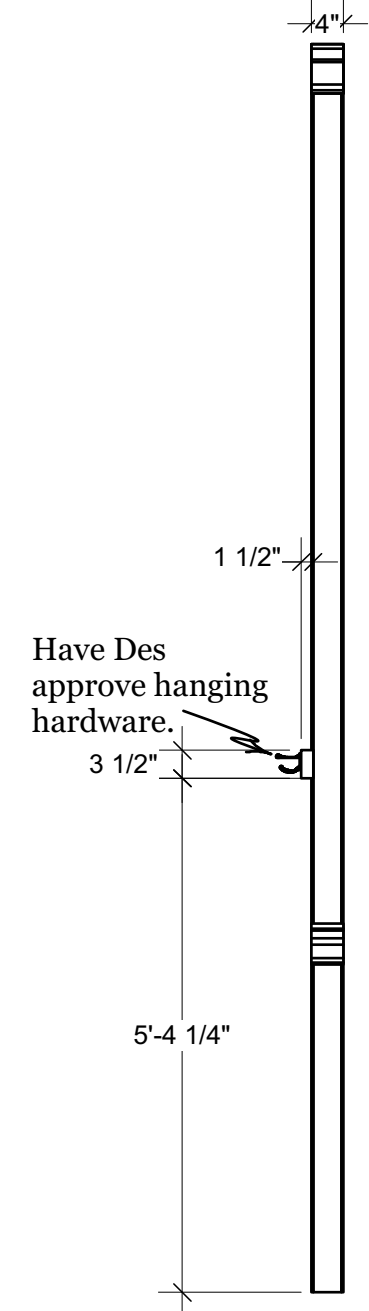
4

of 15



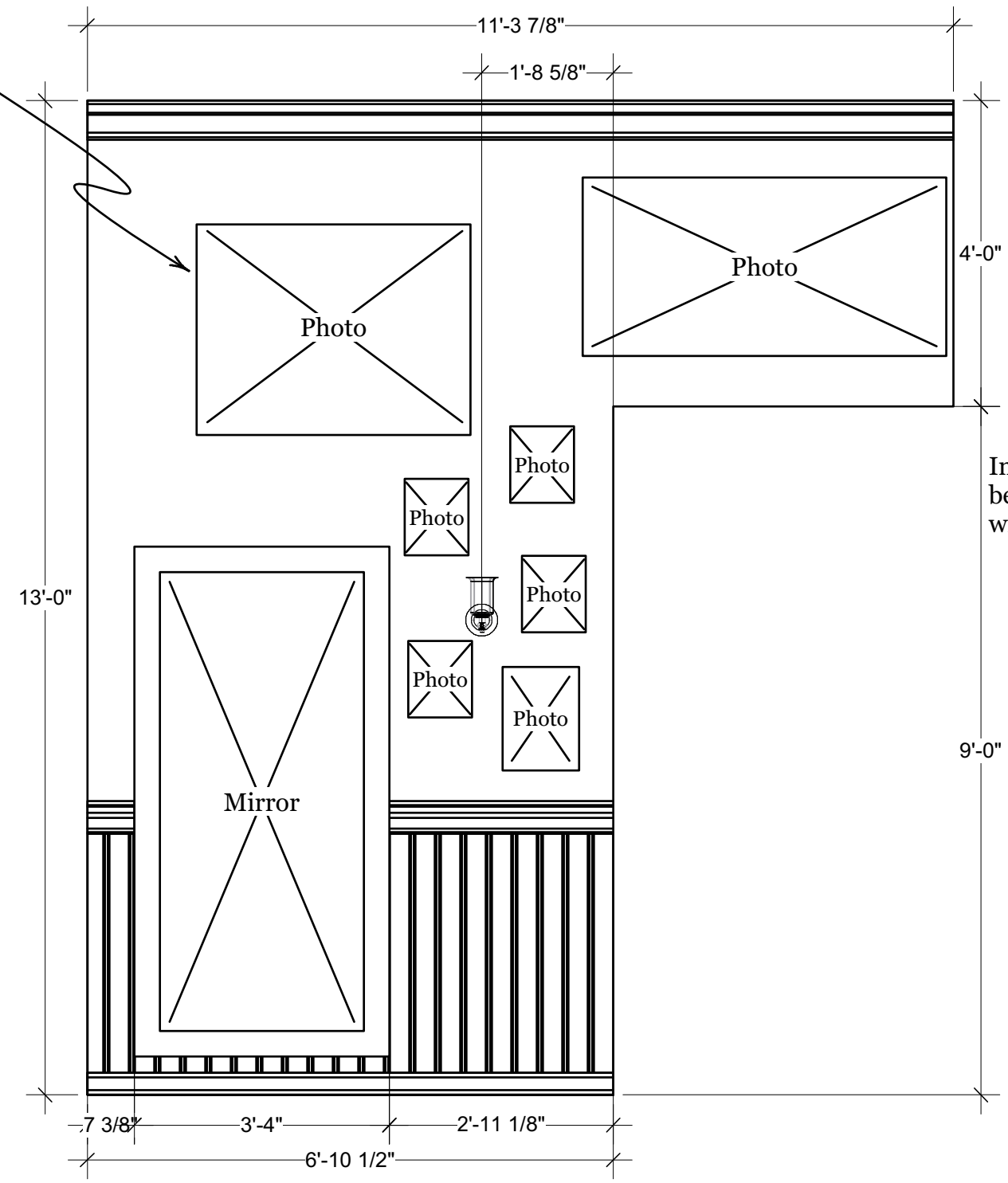
Wall C Front Elevation

All Photos have been placed in DropBox. Des and Props Master to discuss frames.



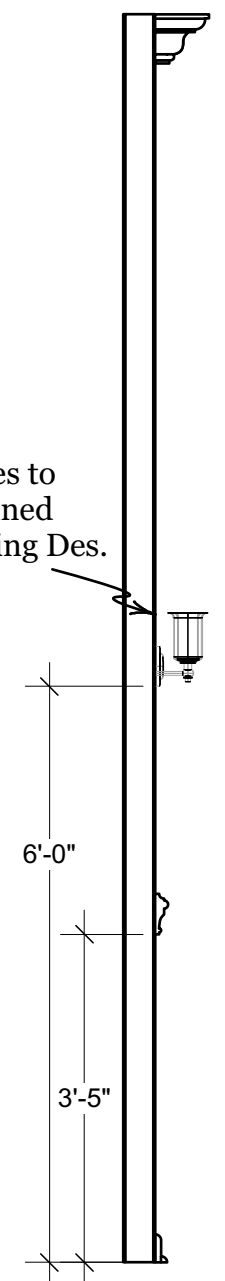
Have Des approve hanging hardware.

Wall C Side Elevation



Wall D Front Elevation

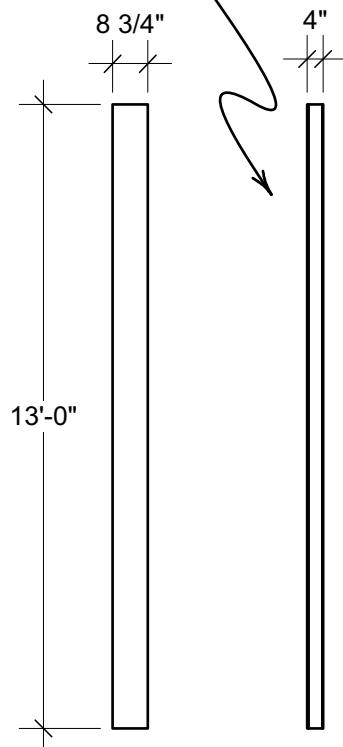
Int. Sconces to be determined with Lighting Des.



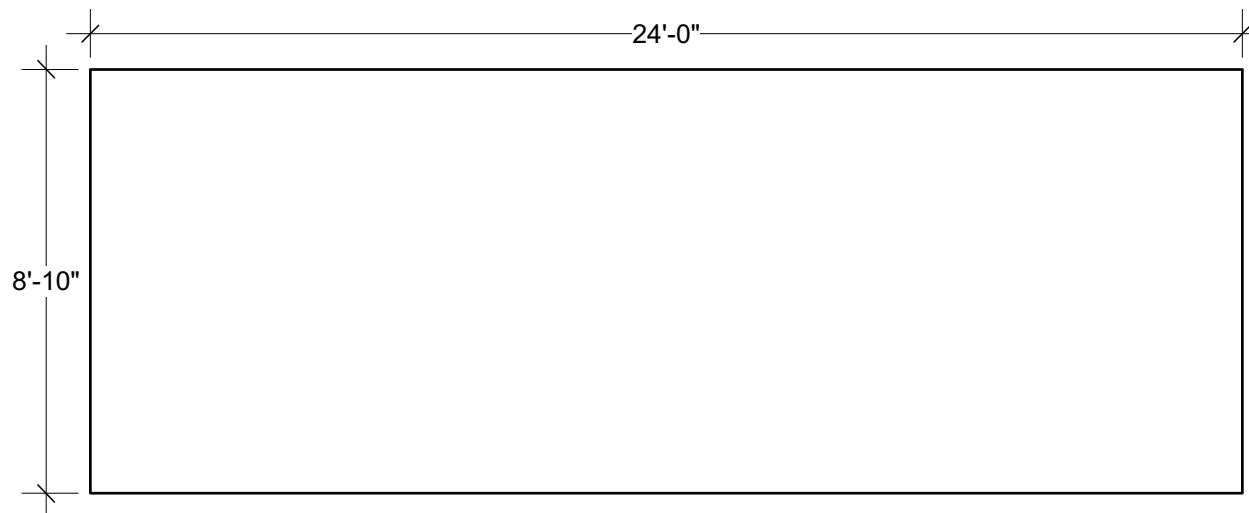
Wall D Side Elevation

Vanya and Sonya and Masha and Spike	Weatherwane Playhouse		Dwg. No. 5
	Director: John Neville-Andrews	Drafter: Dylan G Bollinger (706-973-9533)	
Wall C & Wall D	Designer: Dylan G Bollinger	Date: 5/9/19	of 15
	Tech Director: Ben Fink	Scale: 1/2" = 1'-0"	

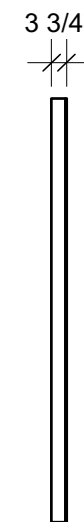
Wall E to be
faced on three sides.



Wall E Front Elevation Wall E Side Elevation



Wall F Front Elevation



Wall F Side Elevation

Vanya and Sonya and Masha and Spike

Wall E & Wall F

Weathervane Playhouse

Director: John Neville-Andrews

Designer: Dylan G Bollinger

Tech Director: Ben Fink

Drafter: Dylan G Bollinger (706-973-9533)

Date: 5/9/19

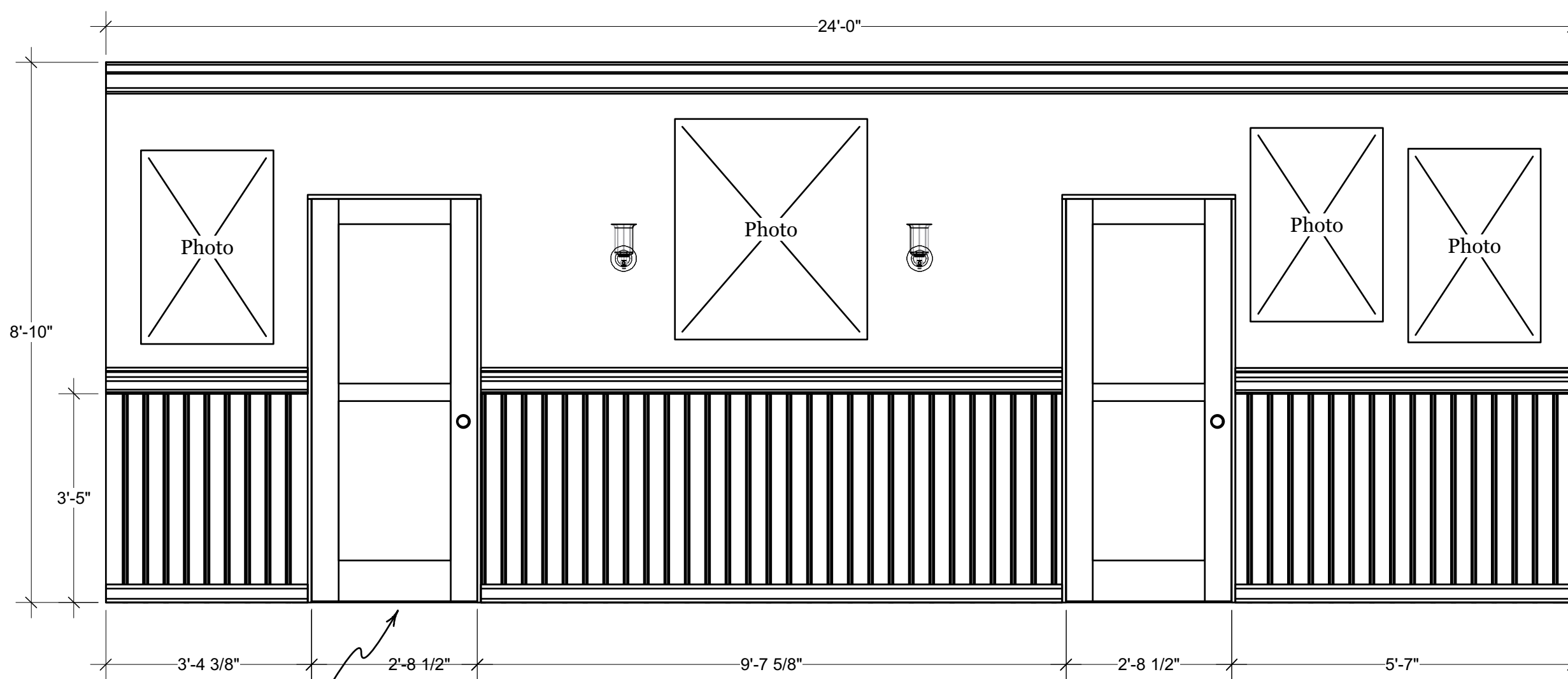
Scale: 1/2" = 1'-0"

Dwg. No.

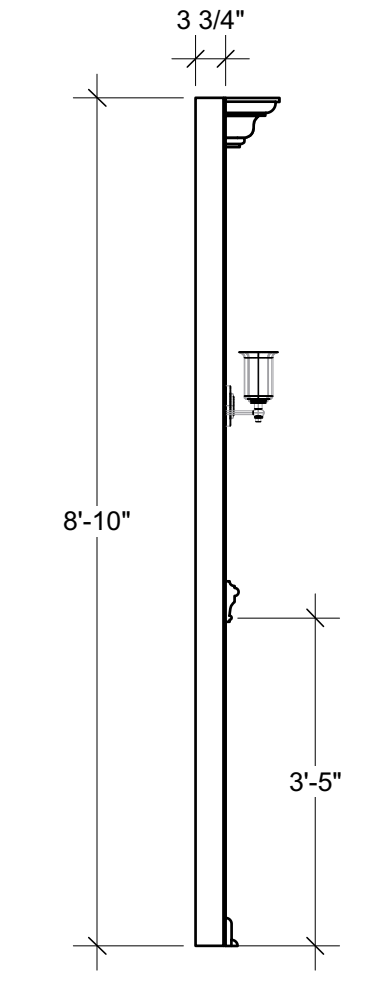
6

of

15



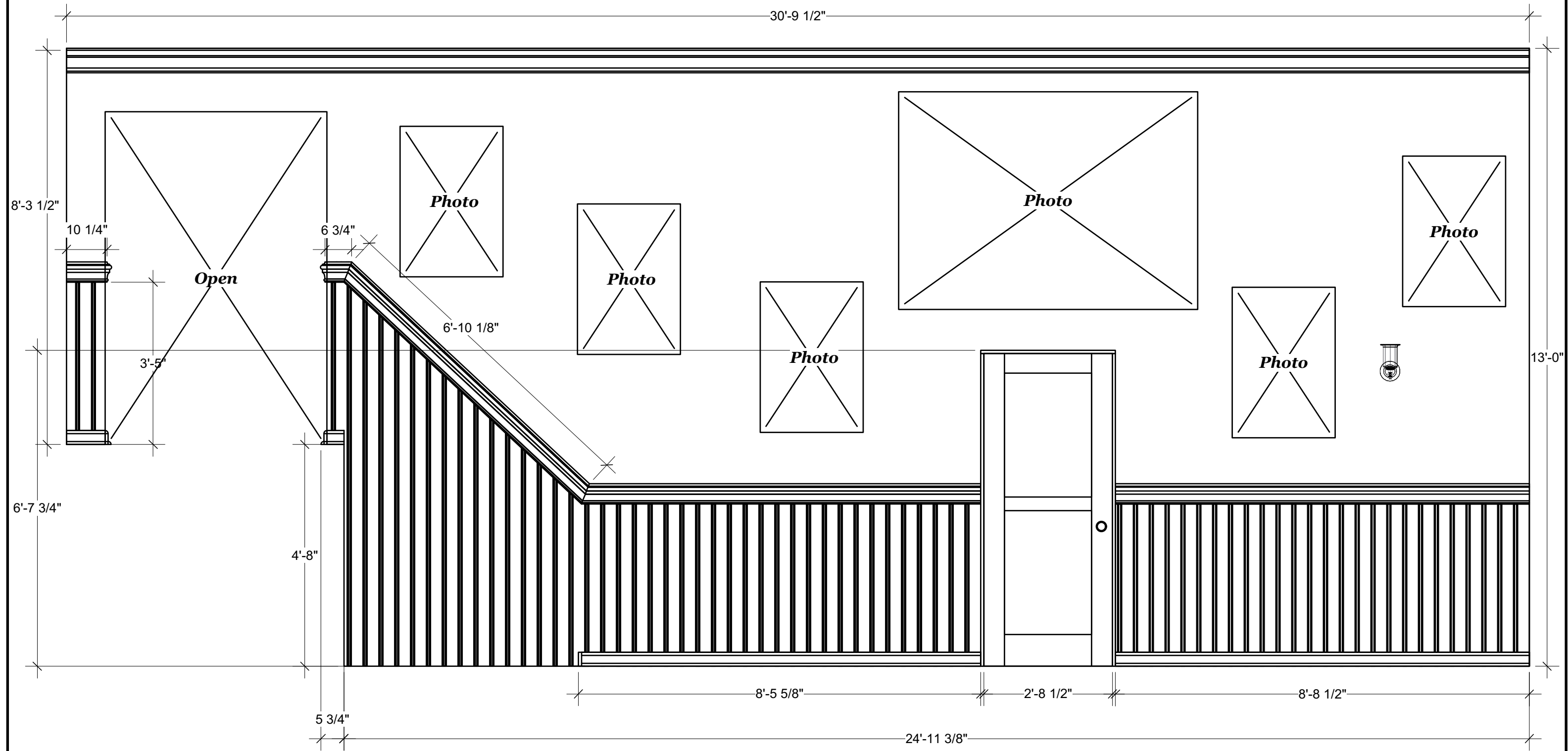
Wall G Front Elevation



Wall G Side Elevation

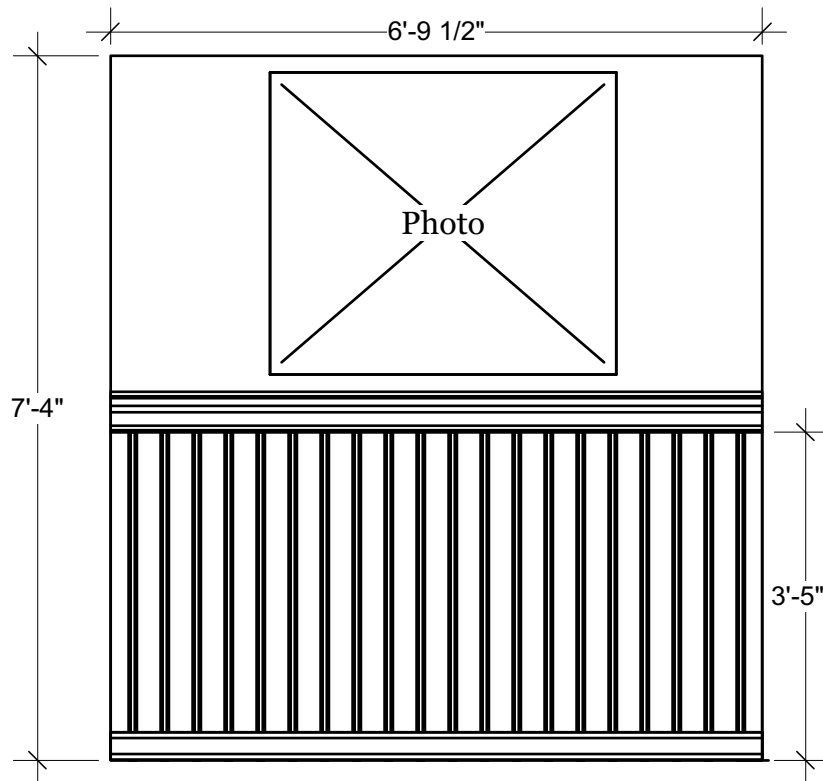
Door Details
on Dwg. 12

<i>Vanya and Sonya and Masha and Spike</i>	<i>Weathervane Playhouse</i>		Dwg. No.
	<i>Director: John Neville-Andrews</i>	<i>Drafter: Dylan G Bollinger</i> (706-973-9533)	7
Wall G	<i>Designer: Dylan G Bollinger</i>	<i>Date: 5/9/19</i>	
	<i>Tech Director: Ben Fink</i>	<i>Scale: 1/2" = 1'-0"</i>	
			of 15



Wall H, Front Elevation

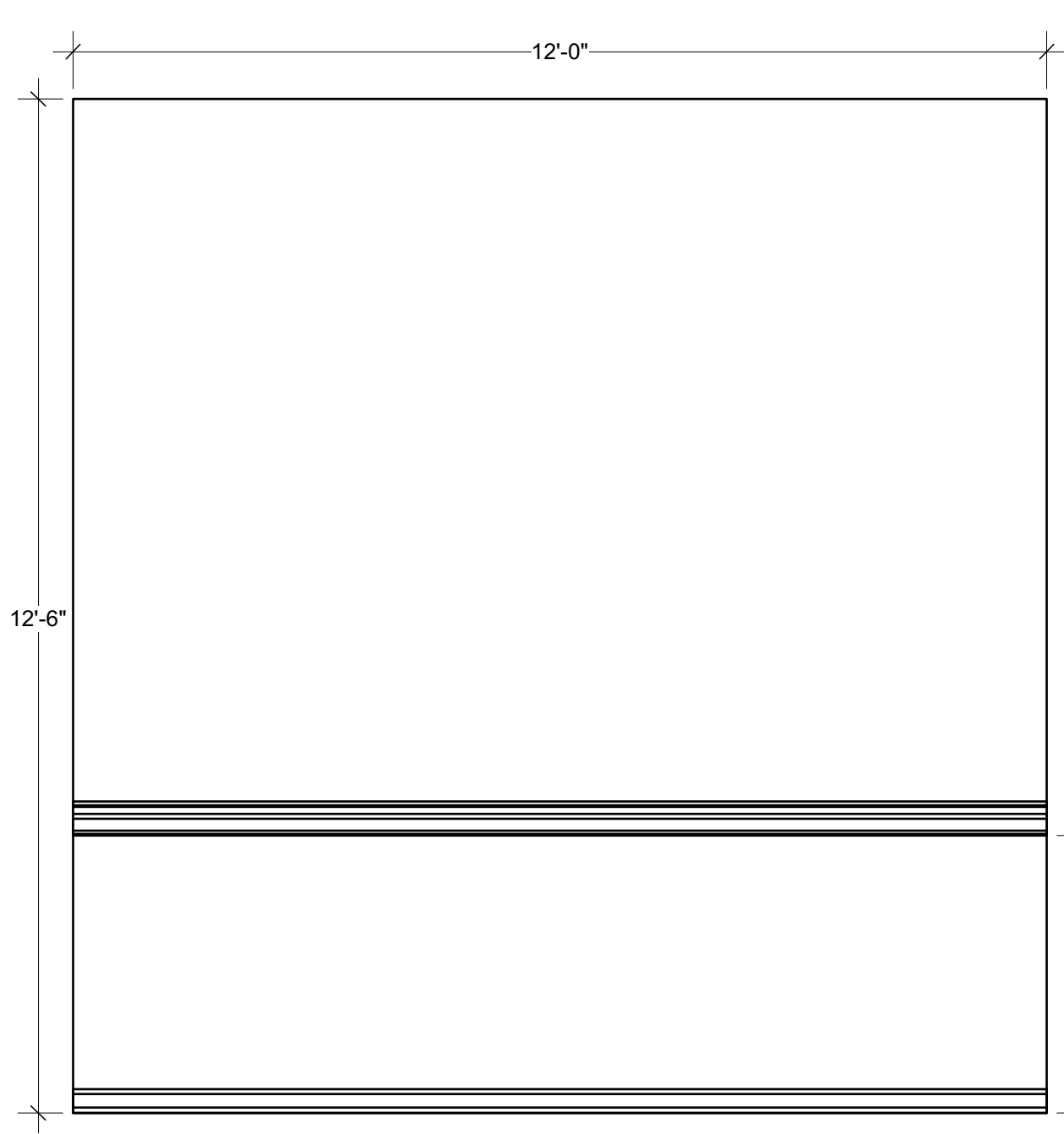
Vanya and Sonya and Masha and Spike	<i>Weathervane Playhouse</i>		Dwg. No.
	Director: John Neville-Andrews	Drafter: Dylan G Bollinger (706-973-9533)	8
Wall H	Designer: Dylan G Bollinger	Date: 5/9/19	
	Tech Director: Ben Fink	Scale: 1/2" = 1'-0"	
			of 15



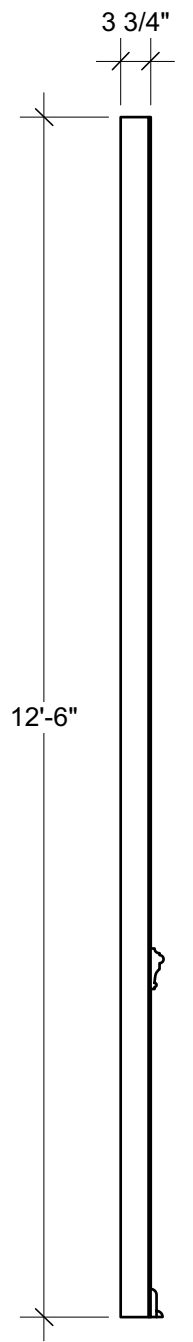
Wall I Front Elevation



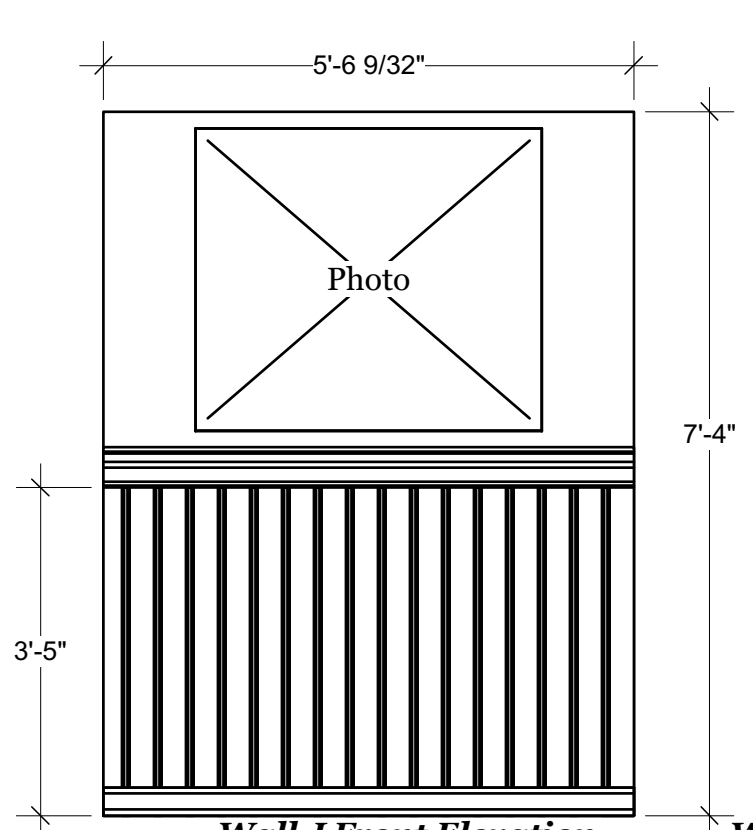
Wall I Side Elevation



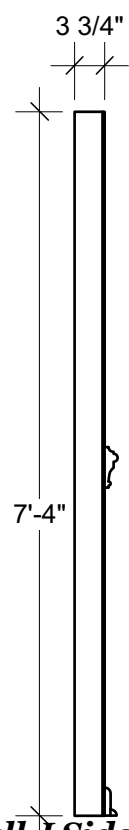
Wall K Front Elevation



Wall K Side Elevation



Wall J Front Elevation



Wall J Side Elevation

Vanya and Sonya and Masha and Spike

Weatherwane Playhouse

Dwg. No.

Director: John Neville-Andrews

Drafter: Dylan G Bollinger (706-973-9533)

9

Walls I, J, & K

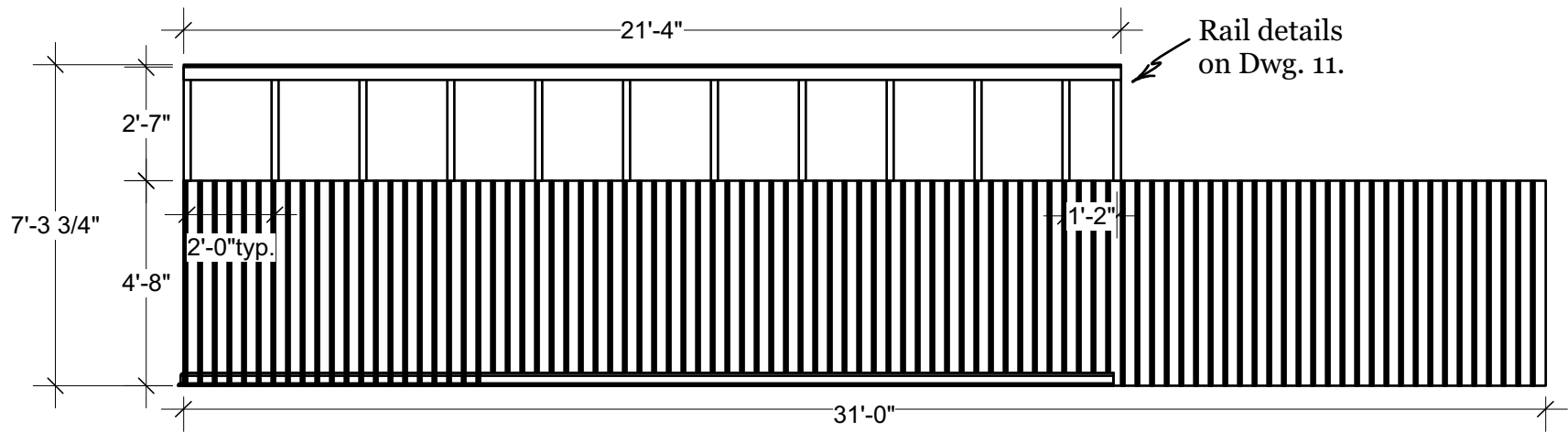
Designer: Dylan G Bollinger

Date: 5/9/19

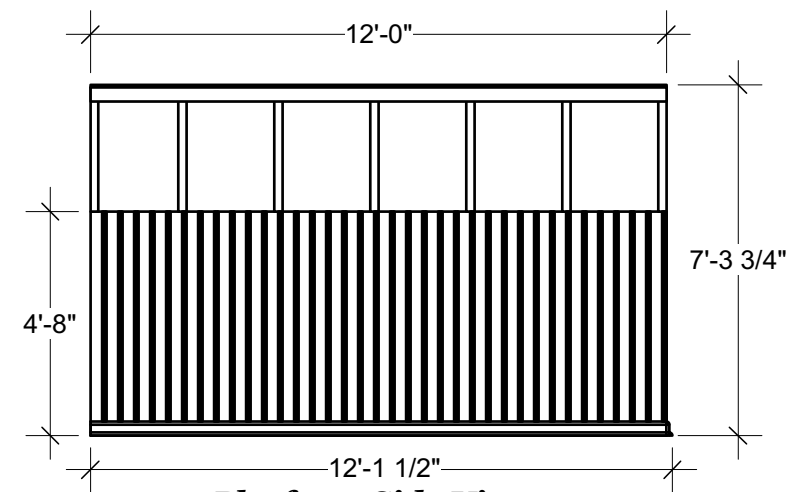
Tech Director: Ben Fink

Scale: 1/2" = 1'-0"

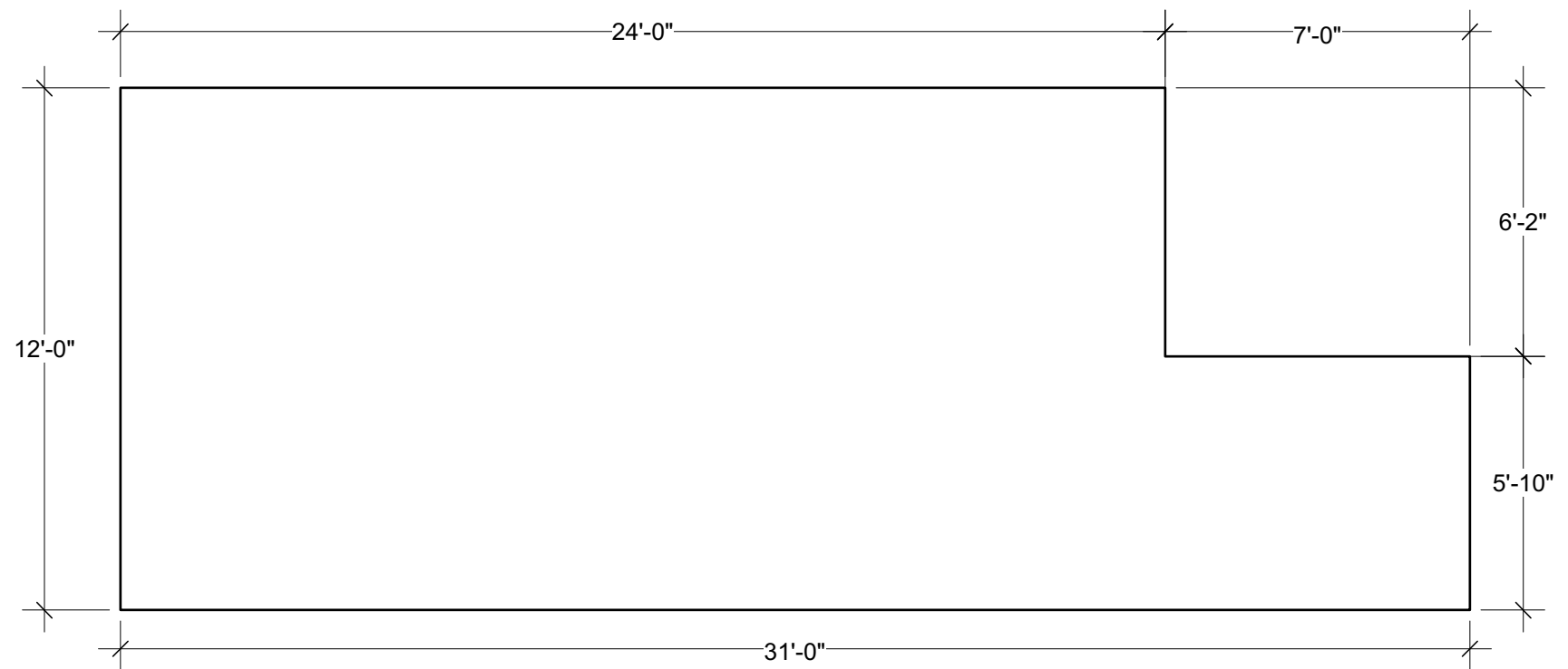
of 15



Platform Front View



Platform Side View

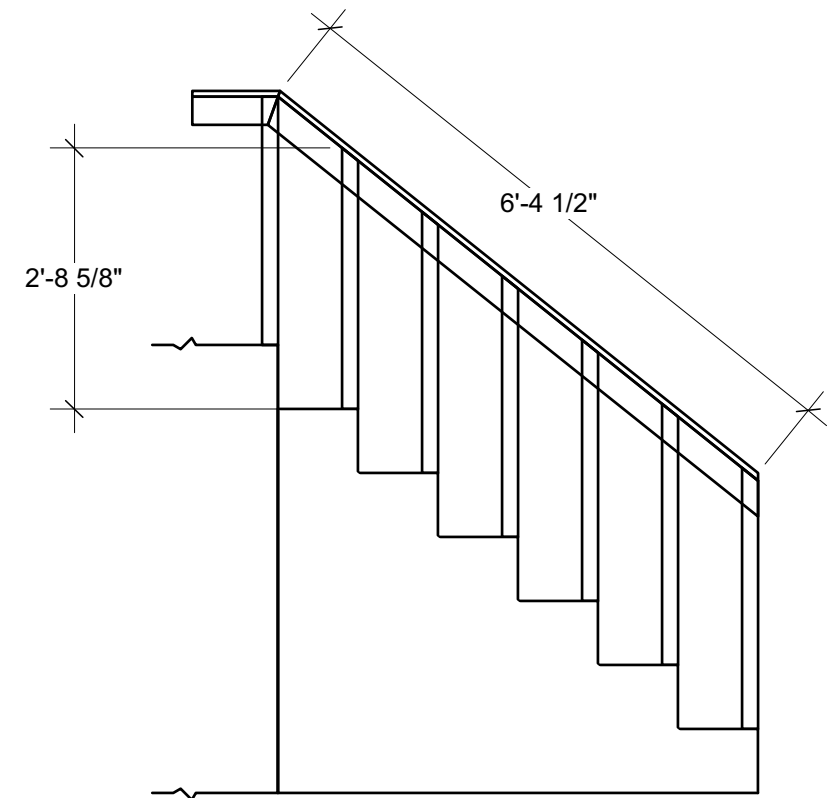
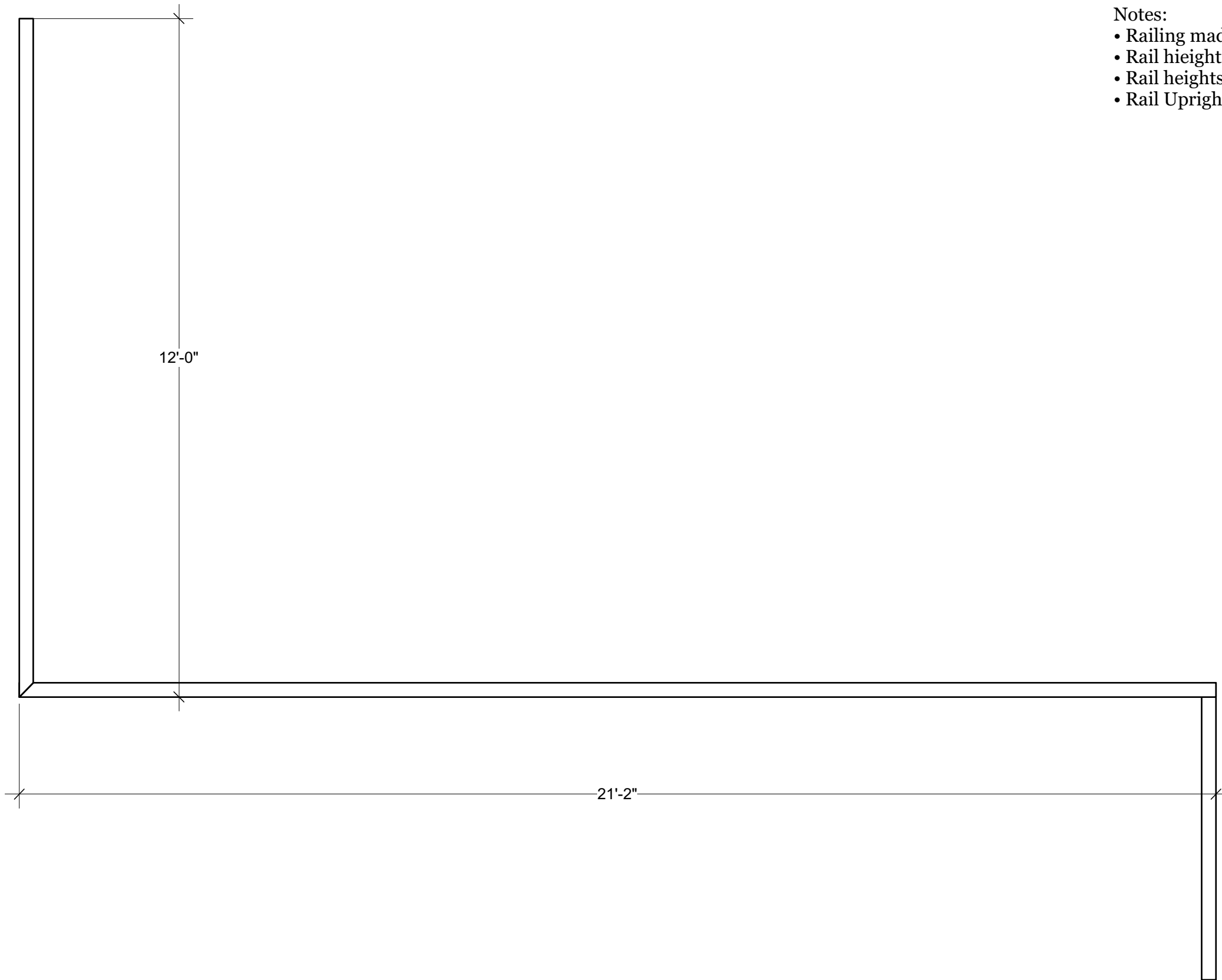


Platform Top View
(Railing and Molding not included for clarity)

<i>Vanya and Sonya and Masha and Spike</i>	<i>Weathervane Playhouse</i>		Dwg. No.
	<i>Director: John Neville-Andrews</i>	<i>Drafter: Dylan G Bollinger</i> (706-973-9533)	10
<i>Platform</i>	<i>Designer: Dylan G Bollinger</i>	<i>Date: 5/9/19</i>	
	<i>Tech Director: Ben Fink</i>	<i>Scale: 1/4" = 1'-0"</i>	
			of 15

Notes:

- Railing made from 1x4 on face capping 2x4 on edge.
- Rail heights for all rails on platform is 2'7".
- Rail heights for all rails on steps is 2'8 5/8".
- Rail Uprights are made from 2x2.



Vanya and Sonya and Masha and Spike

Rail Detail

Weathervane Playhouse

Director: John Neville-Andrews

Designer: Dylan G Bollinger

Tech Director: Ben Fink

Drafter: Dylan G Bollinger (706-973-9533)

Date: 5/9/19

Scale: 1/2" = 1'-0"

Dwg. No.

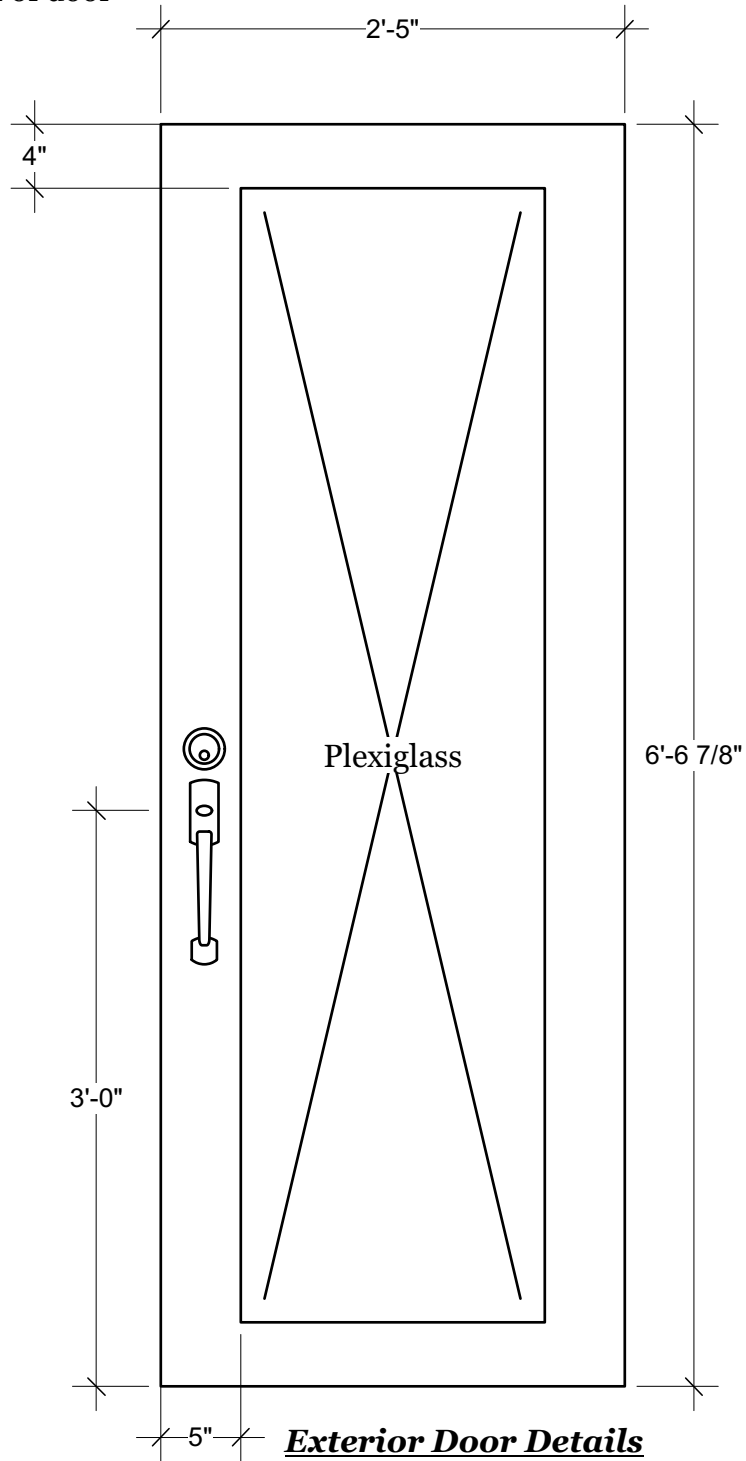
11

of

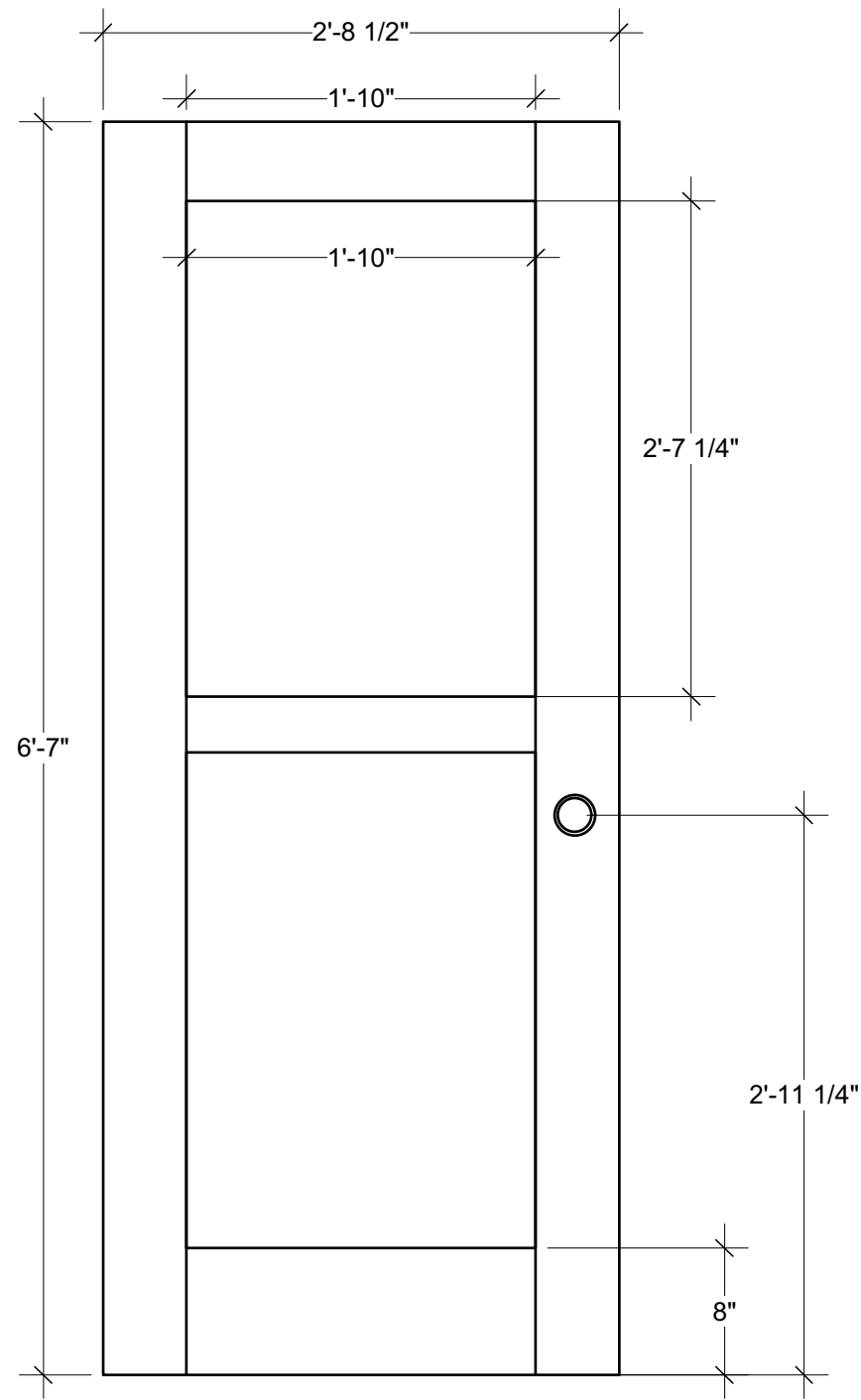
15



Refer to Ground Plan
for orientation of door
opening.



Exterior Door Details



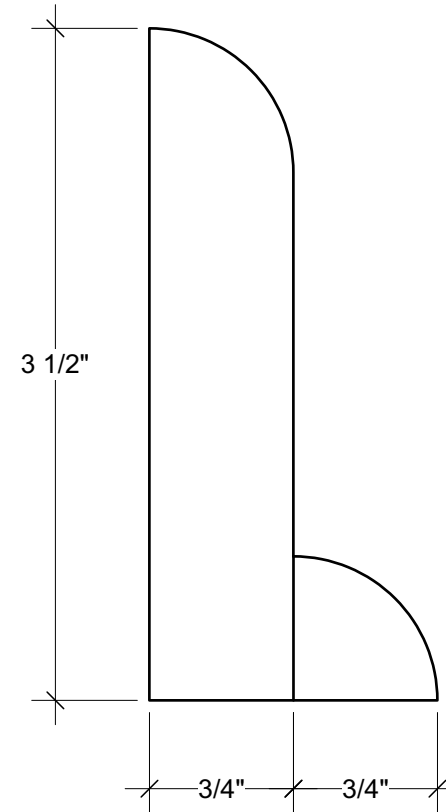
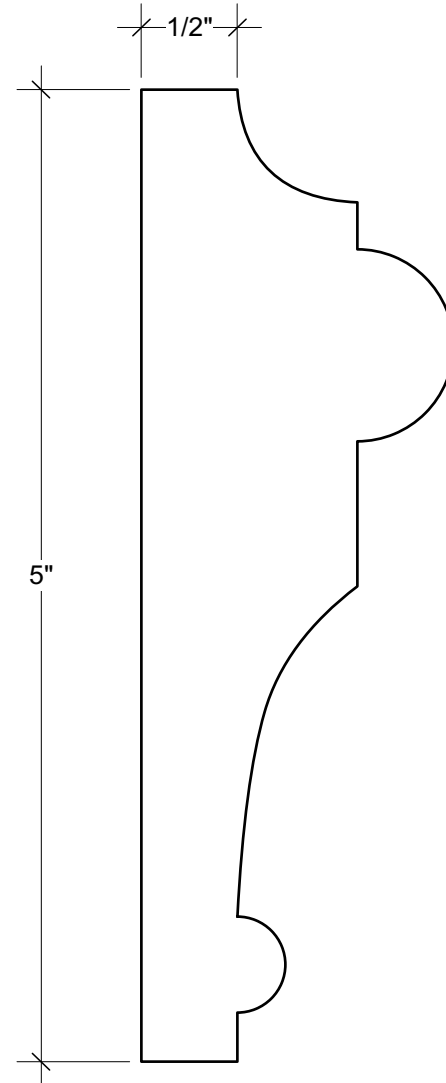
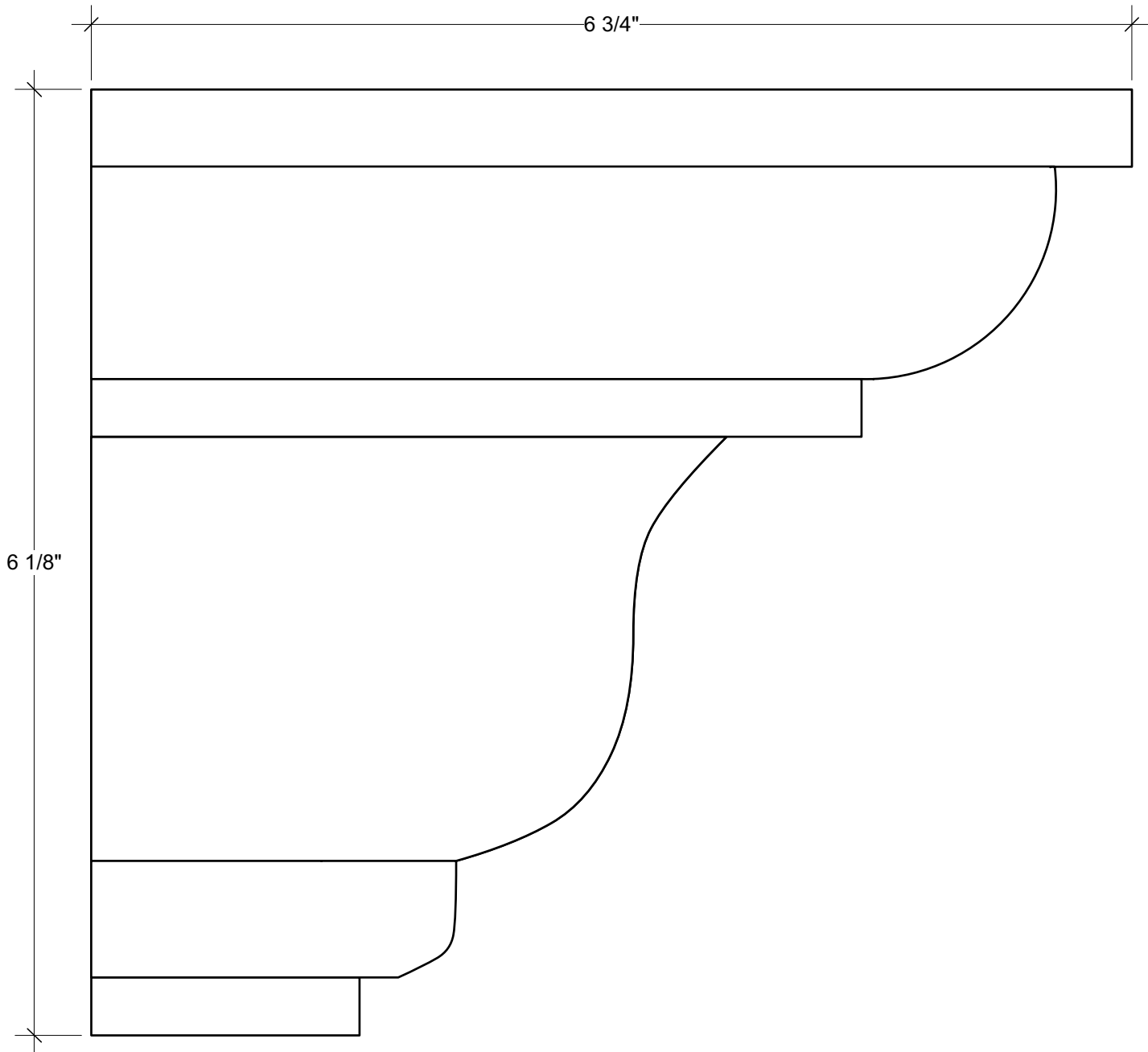
Interior Door Details

Have Designer
approve Door
hardware.

Vanya and Sonya and Masha and Spike	<i>Weathervane Playhouse</i>		Dwg. No.
	Director: John Neville-Andrews	Drafter: Dylan G Bollinger (706-973-9533)	12
Designer: Dylan G Bollinger	Date: 5/9/19		
Tech Director: Ben Fink	Scale: 1/2" = 1'-0"		
<i>Door Detail</i>			of 15

Notes:

- All Molding to be beveled at a 45° when intersecting another piece of molding.
- Pending cost, different styles of molding can be explored.



Vanya and Sonya and Masha and Spike

Molding Detail

Weathervane Playhouse

Director: John Neville-Andrews

Designer: Dylan G Bollinger

Tech Director: Ben Fink

Drafter: Dylan G Bollinger (706-973-9533)

Date: 5/9/19

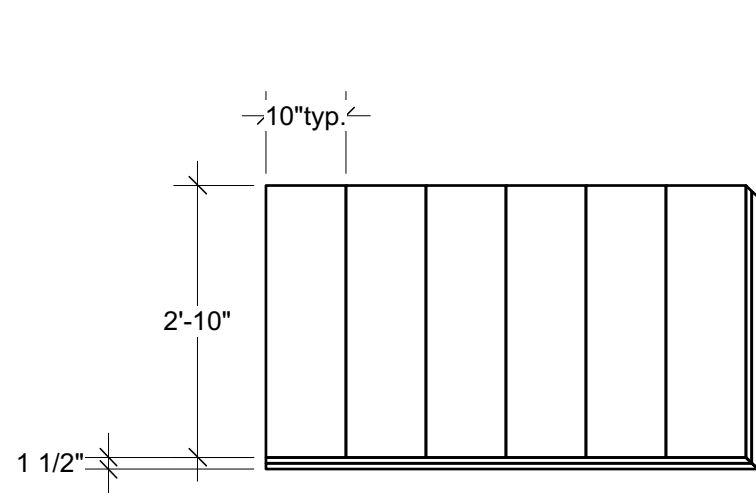
Scale: Actual Size, 1:1

Dwg. No.

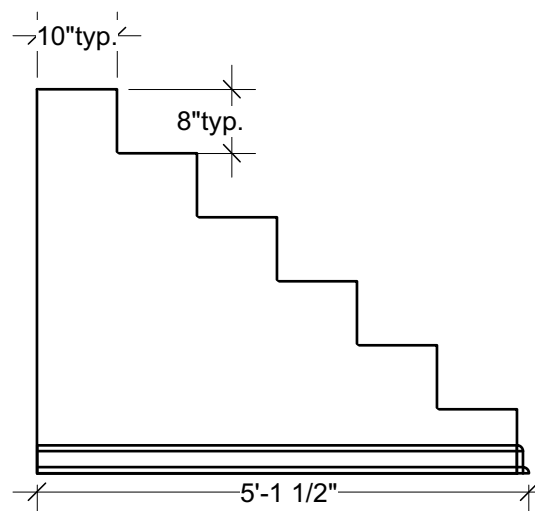
13

of

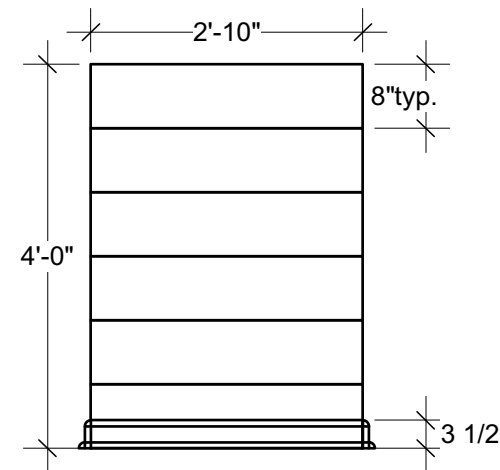
15



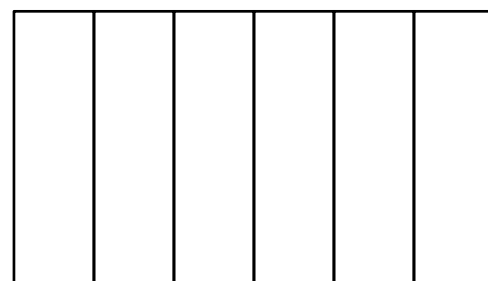
On Stage Step Unit
Top View



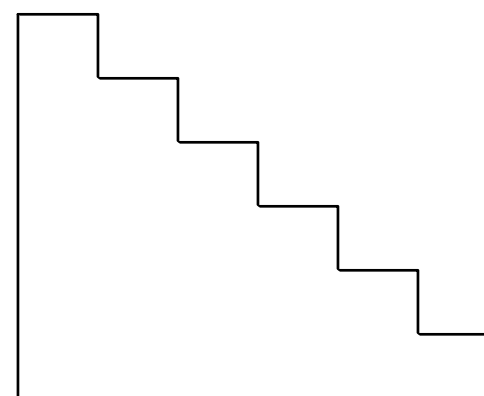
On Stage Step Unit
Side View



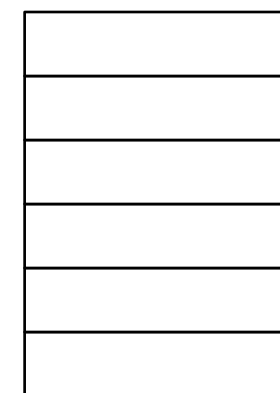
On Stage Step Unit
Front View



Off Stage Step Unit
Top View



Off Stage Step Unit
Side View



Off Stage Step Unit
Front View

Notes:

- Off stage and onstage steps are identical except for molding. Off stage steps do not need molding.
- All step units need railing.

Vanya and Sonya and Masha and Spike

Step Units

Weathervane Playhouse

Director: John Neville-Andrews

Designer: Dylan G Bollinger

Tech Director: Ben Fink

Drafter: Dylan G Bollinger (706-973-9533)

Date: 5/9/19

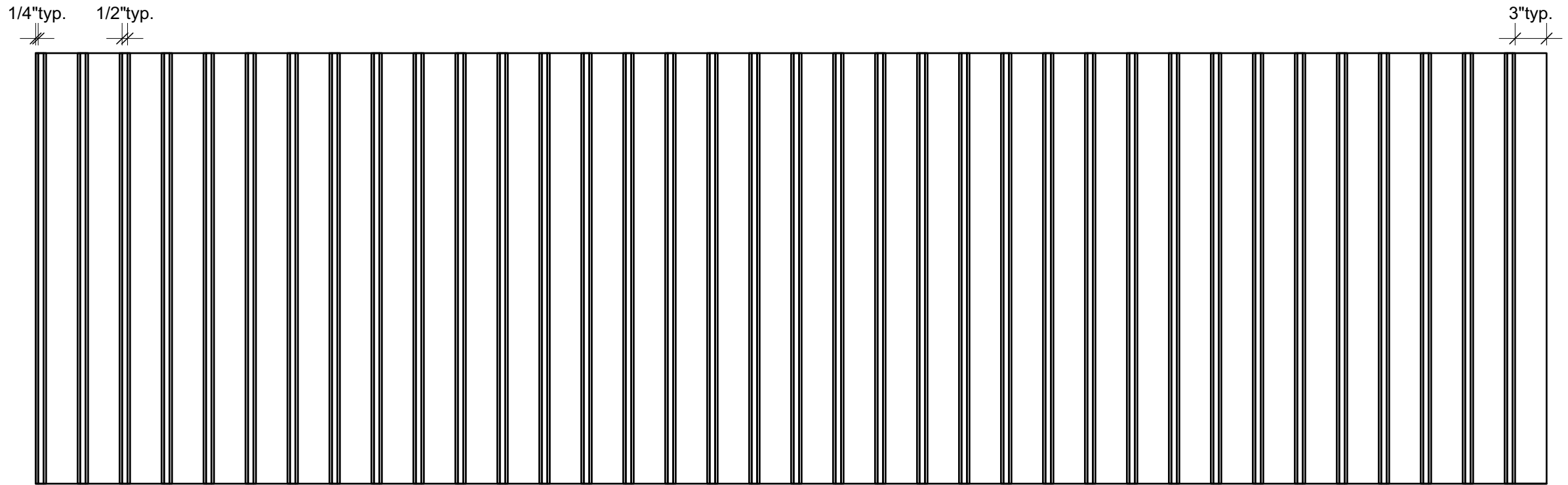
Scale: 1/2" = 1'-0"

Dwg. No.

14

of

15



Wainscoting Beadboard Detail
Front View

Vanya and Sonya and Masha and Spike

Step Units

Weathervane Playhouse

Director: John Neville-Andrews

Designer: Dylan G Bollinger

Tech Director: Ben Fink

Drafter: Dylan G Bollinger (706-973-9533)

Date: 5/9/19

Scale: 1/2" = 1'-0"

Dwg. No.

15

of

15