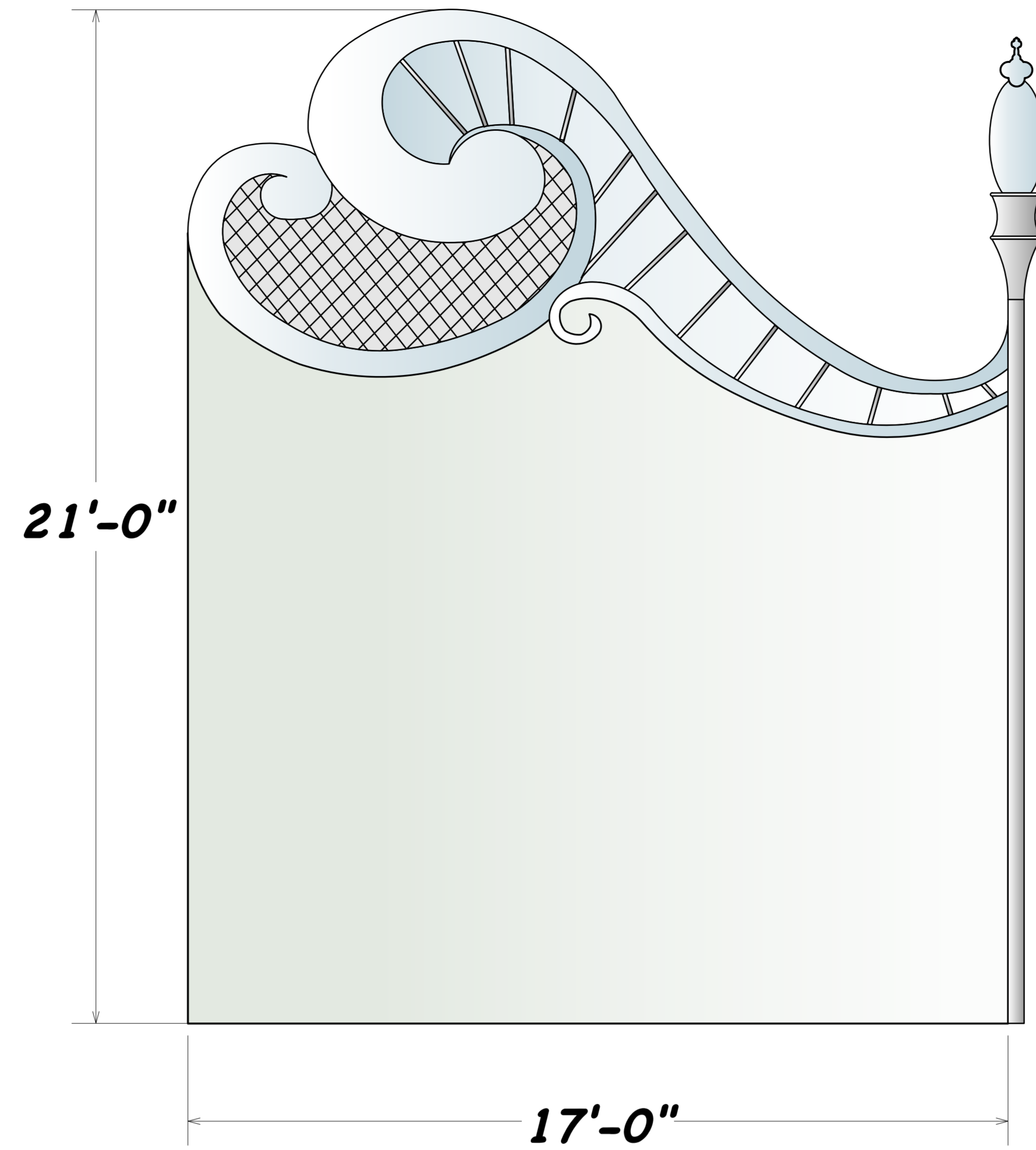
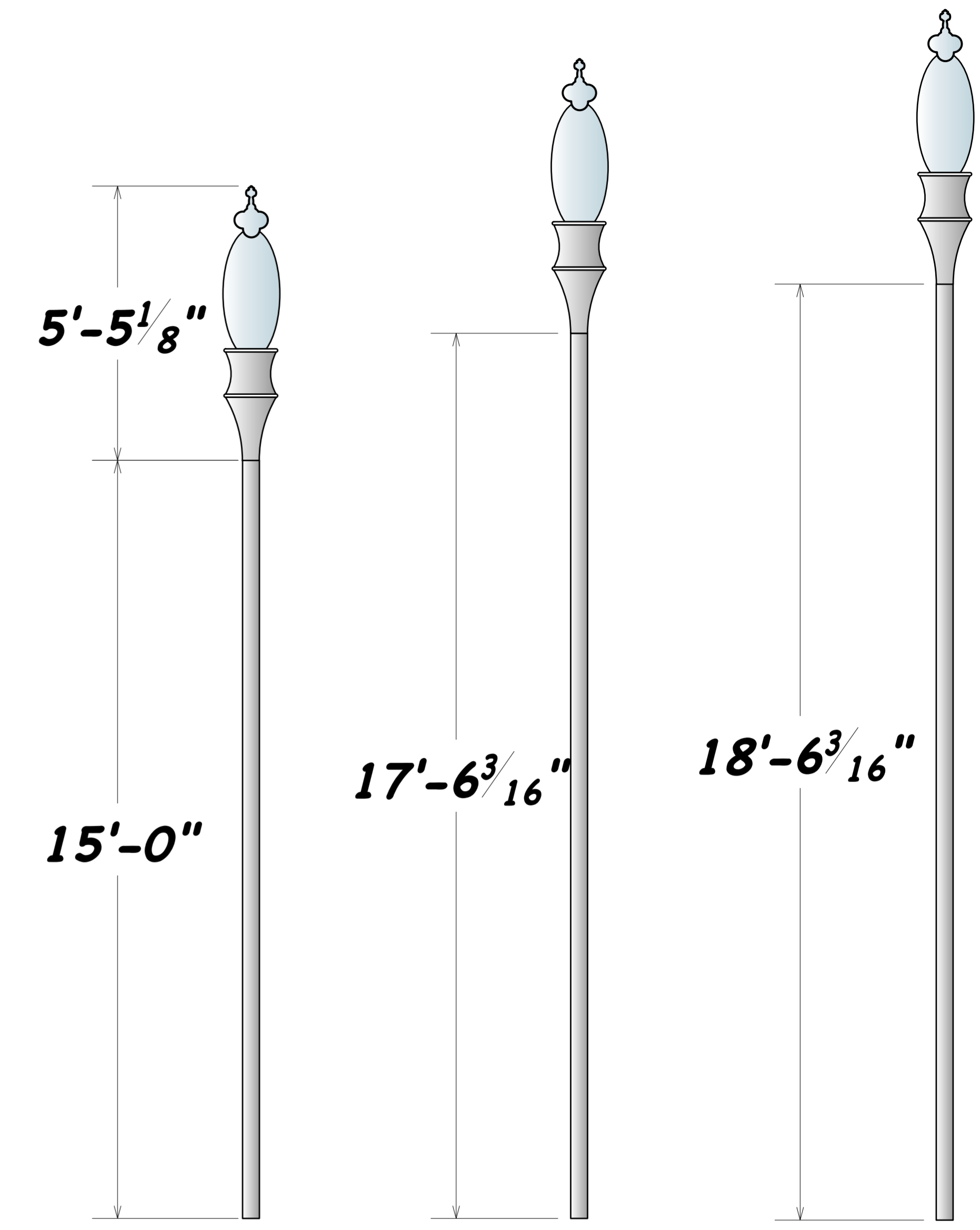


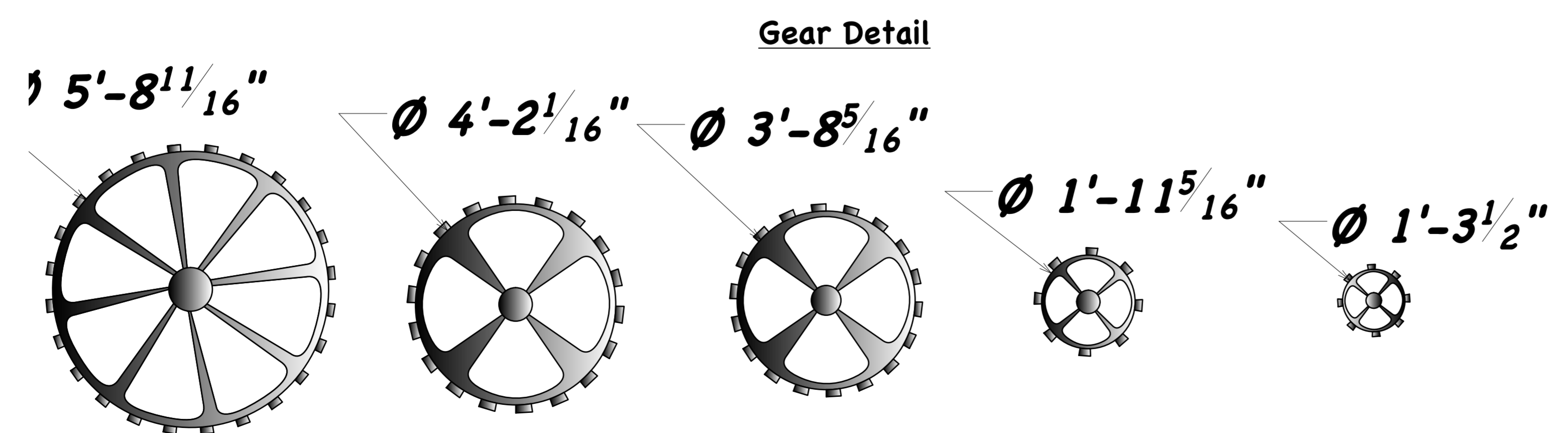
SR Flat with Gears  
Front Elevation



SR Flat with Molding  
Front Elevation



Rod Detail



Gear Detail

Name of Producing Organization			Dwg. No.	
<b>Tales of Hoffman</b>			<b>1</b>	
SR Flats, Spalanzannis House			of	
Director: Jim Wren			?	
Designer: Randy McMullen				
Tech Director: Chip Haas				
Drafter: Dylan G Bollinger				
Approved:	Date:	Scale:	Drawing Date:	
		1/2"=1'-0"	12/8/16	